

5.4 Nuts for peeled ballscrews

5.4.1 Flange single nut DEB-N

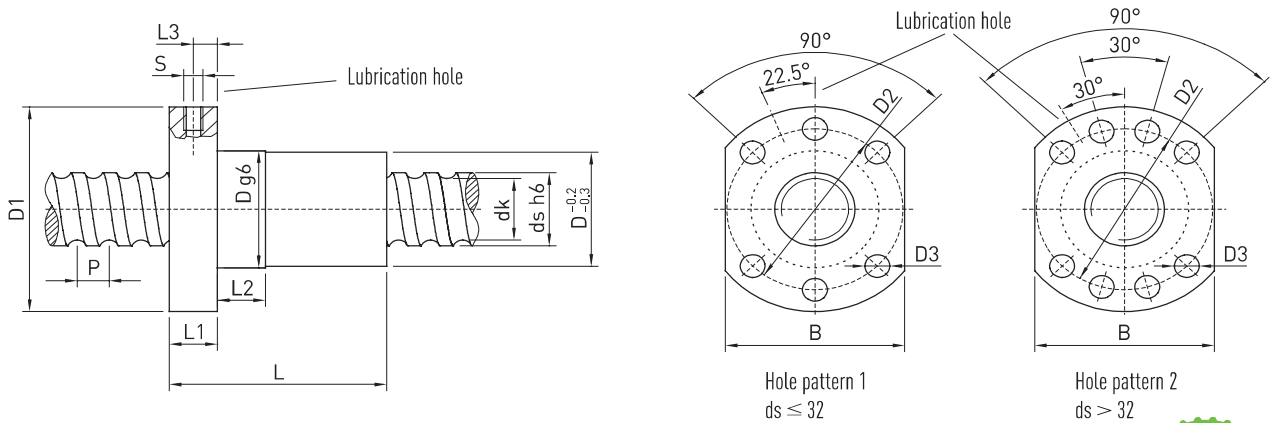


Table 5.4 Nut dimensions (wiper variants N and F)

Type	ds	P	D	D1	D2	D3	L	L1	L2	L3	S	B	dk	Dynamic load rating $C_{dyn}$ [N]	Static load rating $C_0$ [N]	Max. axial play [mm]	Mass [kg/piece]
R16-05K4-DEB-N/F	15	5	28	48	38	5.5	47	10	10	5.0	M6	40	12.9	10,400	16,400	0.02	0.15
R16-10K3-DEB-N/F	15	10	28	48	38	5.5	53	10	10	5.0	M6	40	12.9	8,200	12,800	0.02	0.17
R16-16K2-DEB-N/F	15	16	28	48	38	5.5	55	10	10	5.0	M6	40	12.9	5,600	8,300	0.02	0.18
R20-05K4-DEB-N/F	20	5	36	58	47	6.6	48	10	10	5.0	M6	44	17.3	13,900	23,300	0.02	0.29
R20-10K3-DEB-N/F	20	10	36	58	47	6.6	55	10	10	5.0	M6	44	17.3	9,900	17,400	0.02	0.30
R20-20K2-DEB-N/F	20	20	36	58	47	6.6	65	10	10	5.0	M6	44	17.3	7,000	11,800	0.02	0.32
R25-05K4-DEB-N/F	25	5	40	62	51	6.6	53	10	10	5.0	M6	48	22.3	15,600	29,800	0.02	0.32
R25-10K4-DEB-N/F	25	10	40	62	51	6.6	70	10	10	5.0	M6	48	22.3	14,300	29,700	0.02	0.38
R25-25K2-DEB-N/F	25	25	40	62	51	6.6	79	10	10	5.0	M6	48	22.3	7,700	14,900	0.02	0.41
R32-05K5-DEB-N/F	32	5	50	80	65	9.0	53	12	10	6.0	M6	62	29.3	20,700	48,700	0.02	0.60
R32-10K5-DEB-N/F	32	10	50	80	65	9.0	83	14	20	7.0	M6	62	28.7	30,900	72,800	0.02	0.68
R32-10K5-DEBH-N/F	32	10	56	86	71	9.0	87	14	20	7.0	M6	65	26.9	55,500	108,800	0.02	0.75
R32-20K2-DEB-N/F	32	20	56	86	71	9.0	72	14	20	7.0	M6	65	26.9	24,800	43,000	0.02	0.75
R40-05K5-DEB-N/F	40	5	63	93	78	9.0	56	14	10	7.0	M8 × 1	70	37.3	22,500	61,700	0.02	0.90
R40-10K4-DEB-N/F	38	10	63	93	78	9.0	81	14	20	7.0	M8 × 1	70	32.9	50,500	105,800	0.02	1.13
R40-20K2-DEB-N/F	38	20	63	93	78	9.0	79	14	20	7.0	M8 × 1	70	32.9	27,500	52,400	0.03	1.10
R40-40K2-DEB-N/F	38	40	63	93	78	9.0	113	14	20	7.0	M8 × 1	70	32.9	27,200	53,300	0.04	1.60
R50-05K5-DEB-N/F	50	5	75	110	93	11.0	58	16	10	8.0	M8 × 1	85	47.3	24,900	77,900	0.02	1.20
R50-10K5-DEB-N/F	50	10	75	110	93	11.0	93	16	20	8.0	M8 × 1	85	44.9	70,500	179,100	0.02	1.80
R50-20K3-DEB-N/F	50	20	75	110	93	11.0	101	16	20	8.0	M8 × 1	85	44.9	45,100	106,900	0.03	1.95
R63-10K6-DEB-N/F	63	10	90	125	108	11.0	103	18	10	9.0	M8 × 1	95	57.9	90,800	271,500	0.04	2.90
R63-20T5-DEB-N/F	63	20	95	135	115	13.5	169	20	25	10.0	M8 × 1	100	55.5	129,000	315,400	0.04	4.10
R63-20K6-DEBH-N/F	63	20	125	165	145	13.5	185	25	25	12.5	M8 × 1	130	53.2	295,900	723,500	0.04	9.50
R80-10K6-DEB-N/F	80	10	105	145	125	13.5	105	20	12	10.0	M8 × 1	110	74.9	101,800	355,800	0.04	3.00
R80-20K5-DEB-N/F	80	20	125	165	145	13.5	157	25	25	12.5	M8 × 1	130	72.5	151,700	437,400	0.05	7.80
R80-20K6-DEBH-N/F	78	20	135	175	155	13.5	175	25	25	12.5	M8 × 1	140	68.2	336,500	931,200	0.05	13.50
R80-20K7-DEBH-N/F	78	20	135	175	155	13.5	195	25	25	12.5	M8 × 1	140	68.2	384,100	1,086,400	0.05	15.00

All dimensions stated without a unit are in mm