

# Ballscrews

## Accessory

### 2.4.2 Bearing series SFA / SLA

#### 2.4.2.1 Fixed bearing SFA for ballscrews

The stage height of the fixed bearing is matched to the supported bearing SLA (page 110) and to the nut housing (page 111). The pillow block can be fixed from the top (S1) and bottom (S2).

The stop edges on both sides facilitate alignment of the unit. The fixed bearing is pinned using two taper pins or cylindrical pins. The correct end machining for the fixed bearing is type S2-xx/S3-xx (page 105).

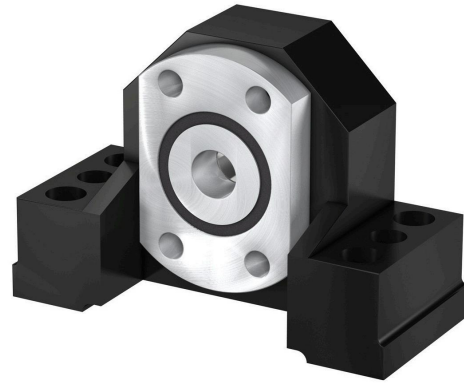
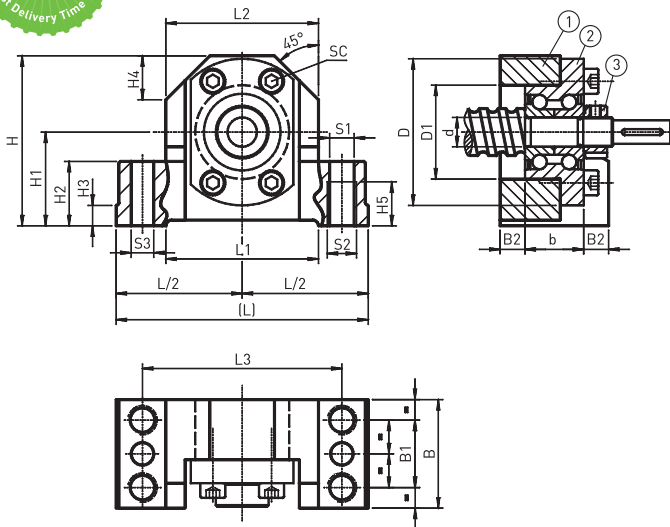


Table 2.22 Dimensions of the bearing

Article number	Spindle $\varnothing$	L	L/2 js9	L1	L2	L3	H	H1 JS7	H2	H3	H4	H5	d	D	D1	b
SFA - 06	12	62	31	34	38	50	41	22	13	5	11	9	6	30	19	12
SFA - 10	16	86	43	52	52	68	58	32	22	7	15	15	10	50	32	20

Table 2.23 Dimensions of the bearing

Article number	Spindle $\varnothing$	B	B1	B2	S1 H12	S2	S3	Locknut	SC DIN 912 10.9
SFA - 06	12	32	16	10	5,3	M6	3,7	HIR 06	4 × M3 × 12
SFA - 10	16	37	23	8,5	8,4	M10	7,7	HIR 10	4 × M5 × 20

Table 2.24 Technical data of the bearing

Article Number	Bearing	Static Load $C_0$ axial [N]	Dynamic Load $C_{dyn}$ axial [N]	Max. Speed [r/min]
SFA-06	ZKLFA0630.ZZ	6100	4900	14000
SFA-10	ZKLFA1050.ZRS	8500	6900	6800

(1) steel pillow block, (2) bearing, (3) locknut

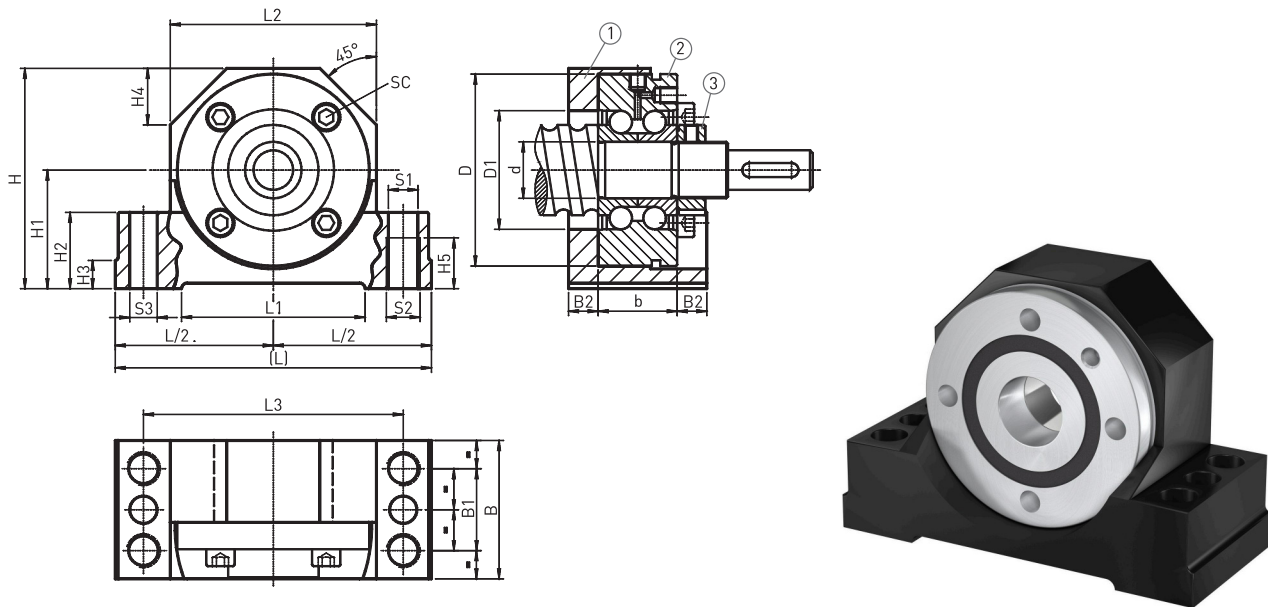


Table 2.25 Dimensions of the bearing

Article number	Spindle Ø	L	L/2 js9	L1	L2	L3	H	H1 JS7	H2	H3	H4	H5	d	D	D1	b
SFA-12	20	94	47	52	60	77	64	34	22	7	17	15	12	55	32	25
SFA-17	25	108	54	65	66	88	72	39	27	10	19	18	17	62	36	25
SFA-20	32	112	56	65	73	92	78	42	27	10	20	18	20	68	42	28
SFA-30	40	126	63	82	84	105	92	50	32	13	23	21	30	80	52	28
SFA-40	50	146	73	82	104	125	112	60	32	13	30	21	40	100	66	34

Table 2.26 Dimensions of the bearing

Article number	Spindle Ø	B	B1	B2	S1 H12	S2	S3	Locknut	SC DIN 912 10.9
SFA-12	20	42	25	8,5	8,4	M10	7,7	HIR 12	3 x M6 x 35
SFA-17	25	46	29	10,5	10,5	M12	9,7	HIR 17	3 x M6 x 35
SFA-20	32	49	29	10,5	10,5	M12	9,7	HIR 20 x 1	4 x M6 x 40
SFA-30	40	53	32	12,5	12,6	M14	9,7	HIR 30	6 x M6 x 40
SFA-40	50	59	34	12,5	12,6	M14	9,7	HIR 40	4 x M8 x 50

Table 2.27 Technical data of the bearing

Article Number	Bearing	Static Load C <sub>0</sub> axial [N]	Dynamic Load C <sub>dyn</sub> axial [N]	Max. Speed [r/min]
SFA-12	ZKLF1255.2RS	24700	17000	3800
SFA-17	ZKLF1762.2RS	31000	18800	3300
SFA-20	ZKLF2068.2RS	47000	26000	3000
SFA-30	ZKLF3080.2RS	64000	29000	2200
SFA-40	ZKLF40100.2RS	101000	43000	1800

(1) steel pillow block, (2) bearing, (3) locknut