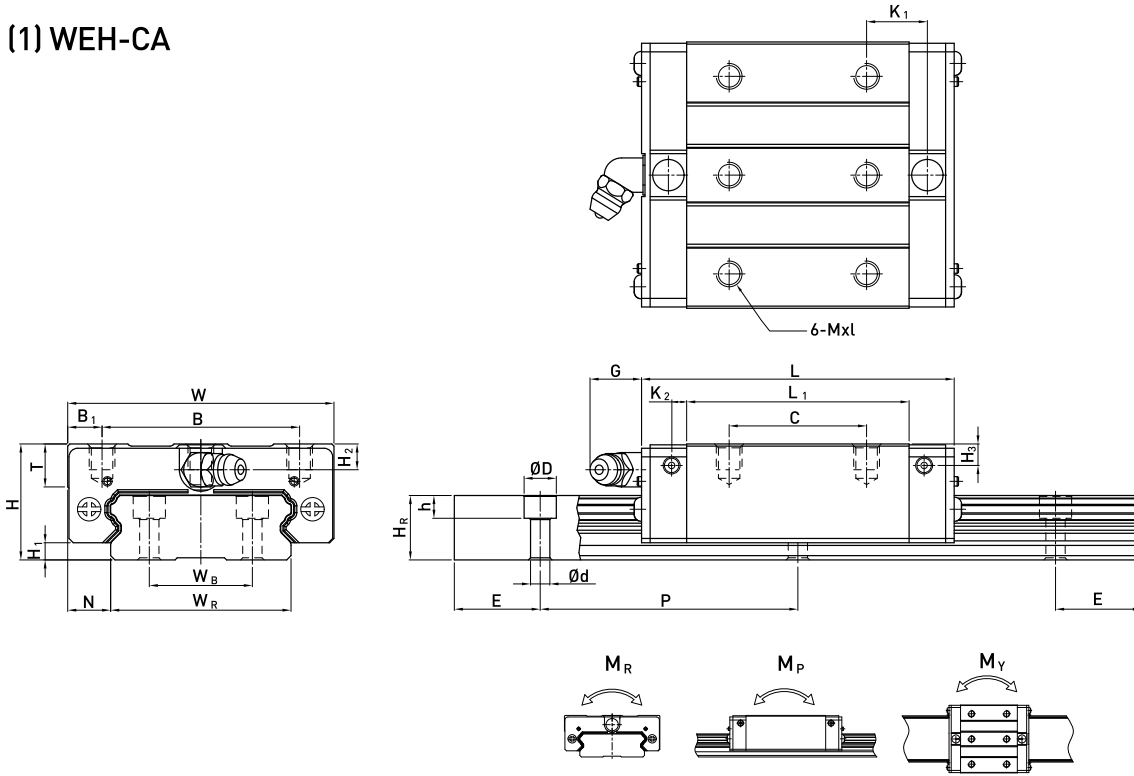


Linear Guideways

WE Series

2-3-13 Dimensions for HIWIN WE Series

(1) WEH-CA



| Model No. | Dimensions of Assembly (mm) | | | Dimensions of Block (mm) | | | | | | | | | | Dimensions of Rail (mm) | | | | | | Mounting Bolt for Rail (mm) | Basic Dynamic Load Rating C (kN) | Basic Static Load Rating C ₀ (kN) | Static Rated Moment | | | Weight | | | | | | |
|-----------|-----------------------------|----------------|------|--------------------------|----|----------------|----|----------------|-------|----------------|----------------|-----|------|-------------------------|----------------|----------------|----------------|----------------|----------------|-----------------------------|----------------------------------|--|---------------------|----|-------|--------|------|----------------|----------------|----------------|-------|------|
| | H | H ₁ | N | W | B | B ₁ | C | L ₁ | L | K ₁ | K ₂ | G | Mxl | T | H ₂ | H ₃ | W _R | W _B | H _R | | | | D | h | d | P | E | M _R | M _P | M _Y | Block | Rail |
| | mm | mm | mm | mm | mm | mm | mm | mm | mm | mm | mm | mm | mm | mm | mm | mm | mm | mm | mm | | | | mm | mm | mm | mm | mm | mm | kN-m | kN-m | kN-m | kg |
| WEH17CA | 17 | 2.5 | 8.5 | 50 | 29 | 10.5 | 15 | 35 | 50.6 | - | 3.1 | 4.9 | M4x5 | 6 | 4 | 3 | 33 | 18 | 9.3 | 7.5 | 5.3 | 4.5 | 40 | 20 | M4x12 | 5.23 | 9.64 | 0.15 | 0.062 | 0.062 | 0.12 | 2.2 |
| WEH21CA | 21 | 3 | 8.5 | 54 | 31 | 11.5 | 19 | 41.7 | 59 | 14.68 | 3.65 | 12 | M5x6 | 8 | 4.5 | 4.2 | 37 | 22 | 11 | 7.5 | 5.3 | 4.5 | 50 | 25 | M4x12 | 7.21 | 13.7 | 0.23 | 0.1 | 0.1 | 0.2 | 3 |
| WEH27CA | 27 | 4 | 10 | 62 | 46 | 8 | 32 | 51.8 | 72.8 | 14.15 | 3.5 | 12 | M6x6 | 10 | 6 | 5 | 42 | 24 | 15 | 7.5 | 5.3 | 4.5 | 60 | 20 | M4x16 | 12.4 | 21.6 | 0.42 | 0.17 | 0.17 | 0.35 | 4.7 |
| WEH35CA | 35 | 4 | 15.5 | 100 | 76 | 12 | 50 | 77.6 | 102.6 | 18.35 | 5.25 | 12 | M8x8 | 13 | 8 | 6.5 | 69 | 40 | 19 | 11 | 9 | 7 | 80 | 20 | M6x20 | 29.8 | 49.4 | 1.48 | 0.67 | 0.67 | 1.1 | 9.7 |

Note : 1 kgf = 9.81 N