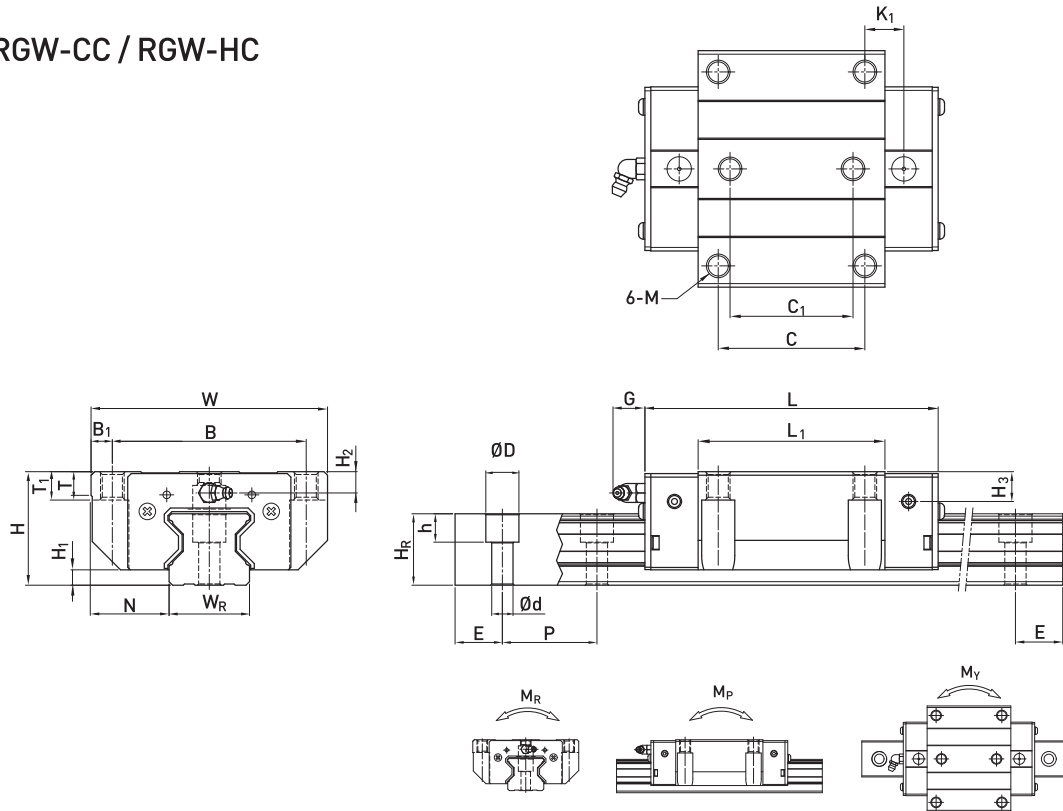


[2] RGW-CC / RGW-HC



Model No	Dimensions of Assembly (mm)		Dimensions of Block (mm)													Dimensions of Rail (mm)						Mounting Bolt for Rail (mm)	Basic Dynamic Load Rating C ₀ (kN)	Basic Static Load Rating C ₀ (kN)	Static Rated Moment			Weight					
	H	H ₁	N	W	B	B ₁	C	C ₁	L ₁	L	K ₁	G	M	T	T ₁	H ₂	H ₃	W _R	H _R	D	h				d	P	E	M _R	M _P	M _Y	Block	Rail	
	kgf	kgf	mm	mm	mm	mm	mm	mm	mm	mm	mm	mm	mm	mm	mm	mm	mm	mm	mm	mm	mm				mm	mm	mm	kgf-m	kgf-m	kgf-m	kg	kg/m	
RGW 25CC	36	5.5	23.5	70	57	6.5	45	40	64.5	97.9	15.75	12	M8	9.5	10	6.2	6	23	23.6	11	9	7	30	20	M6x20	27.7	57.1	0.758	0.605	0.605	0.67	3.08	
RGW 25HC									81	114.4	24																						
RGW 30CC	42	6	31	90	72	9	52	44	71	109.8	17.5	12	M10	9.5	10	6.5	7.3	28	28	14	12	9	40	20	M8x25	39.1	82.1	1.445	1.06	1.06	1.06	4.41	
RGW 30HC									93	131.8	28.5																						
RGW 35CC	48	6.5	33	100	82	9	62	52	79	124	16.5	12	M10	12	13	9	12.6	34	30.2	14	12	9	40	20	M8x25	57.9	105.2	2.17	1.44	1.44	1.61	6.06	
RGW 35HC									106.5	151.5	30.25																						
RGW 45CC	60	8	37.5	120	100	10	80	60	106	153.2	21	12.9	M12	14	15	10	14	45	38	20	17	14	52.5	22.5	M12x35	92.6	178.8	4.52	3.05	3.05	3.22	9.97	
RGW 45HC									139.8	187	37.9																						
RGW 55CC	70	10	43.5	140	116	12	95	70	125.5	183.7	27.75	12.9	M14	16	17	12	17.5	53	44	23	20	16	60	30	M14x45	130.5	252	8.01	5.4	5.4	5.18	13.98	
RGW 55HC									173.8	232	51.9																						
RGW 65CC	90	12	53.5	170	142	14	110	82	160	232	40.8	12.9	M16	22	23	15	15	63	53	26	22	18	75	35	M16x50	213	411.6	16.20	11.59	11.59	11.04	20.22	
RGW 65HC									223	295	72.3																						

Note : 1 kgf = 9.81 N