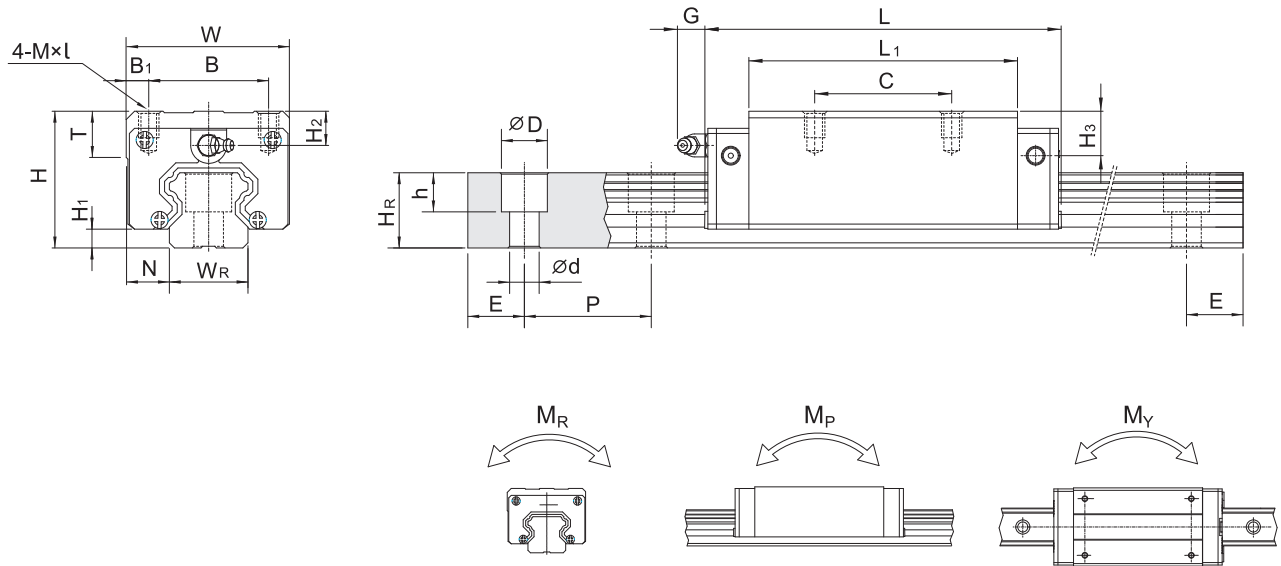


Linear Guideways

QH Series

2-8-6 Dimensions for HIWIN QH Series

(1) QHH-CA / QHH-HA



Model No.	Dimensions of Assembly (mm)			Dimensions of Block (mm)										Dimensions of Rail (mm)						Mounting Bolt for Rail (mm)	Basic Dynamic Load Rating C (kN)	Basic Static Load Rating Co (kN)	Static Rated Moment			Weight			
	H	H1	N	W	B	B1	C	L1	L	G	MxL	T	H2	H3	WR	HR	D	h	d				P	E	MR	MP	MY	Block kg	Rail kg/m
QHH15CA	28	4	9.5	34	26	4	26	39.4	61.4	5.3	M4 x 5	6	7.95	8.2	15	15	7.5	5.3	4.5	60	20	M4x16	13.88	21.42	0.14	0.13	0.13	0.18	1.45
QHH20CA	30	4.6	12	44	32	6	36	50.5	76.7	12	M5 x 6	8	6	6	20	17.5	9.5	8.5	6	60	20	M5x16	23.08	34.93	0.35	0.26	0.26	0.29	2.21
QHH20HA							50	65.2	91.4														27.53	43.09	0.42	0.36	0.36	0.38	
QHH25CA	40	5.5	12.5	48	35	6.5	35	58	83.4	12	M6 x 8	8	10	8.5	23	22	11	9	7	60	20	M6x20	31.78	51.87	0.59	0.48	0.48	0.50	3.21
QHH25HA							50	78.6	104														39.30	67.06	0.77	0.70	0.70	0.68	
QHH30CA	45	6	16	60	40	10	40	70	97.4	12	M8x10	8.5	9.5	9	28	26	14	12	9	80	20	M8x25	46.49	76.67	0.97	0.81	0.81	0.87	4.47
QHH30HA							60	93	120.4														56.72	103.65	1.32	1.41	1.41	1.15	
QHH35CA	55	7.5	18	70	50	10	50	80	113.6	12	M8x12	10.2	15.5	13.5	34	29	14	12	9	80	20	M8x25	60.52	94.96	1.60	1.13	1.13	1.44	6.30
QHH35HA							72	105.8	139.4														73.59	128.29	2.15	1.98	1.98	1.90	
QHH45CA	70	9.2	20.5	86	60	13	60	97	139.4	12.9	M10x17	16	18.5	20	45	38	20	17	14	105	22.5	M12x35	89.21	143.93	2.78	2.09	2.09	2.72	10.41
QHH45HA							80	128.8	171.2														108.72	194.93	3.76	3.66	3.66	3.59	

Note : 1 kgf = 9.81 N