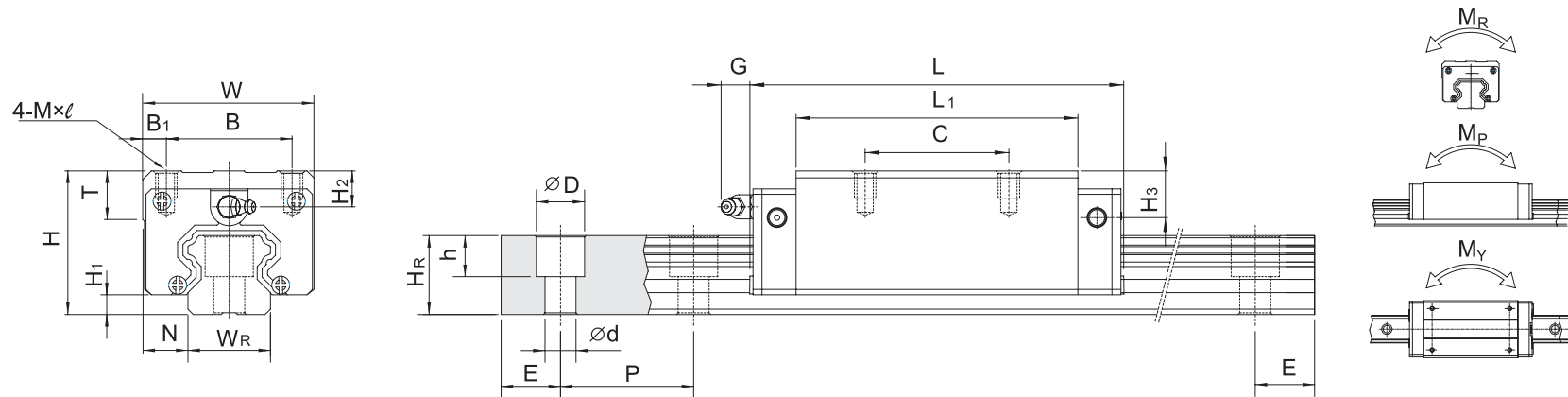


2-14 Dimensions for HG Series

(1) HGH-CA / HGH-HA



Model No.	Dimensions of Assembly (mm)			Dimensions of Block (mm)										Dimensions of Rail (mm)						Mounting Bolt for Rail (mm)	Basic Dynamic Load Rating C (kN)	Basic Static Load Rating C ₀ (kN)	Static Rated Moment			Weight			
	H	H ₁	N	W	B	B ₁	C	L ₁	L	G	M x ℓ	T	H ₂	H ₃	W _R	H _R	D	h	d				P	E	M _R (kN-m)	M _P (kN-m)	M _Y (kN-m)	Block (kg)	Rail (kg/m)
HGH 15CA HGH 20CA	28	4.3	9.5	34	26	4	26	39.4	61.4	5.3	M4x5	6	8.5	9.5	15	15	7.5	5.3	4.5	60	20	M4x16	11.38	25.31	0.17	0.15	0.15	0.18	1.45
HGH 20HA	30	4.6	12	44	32	6	36	50.5	75.6	12	M5x6	8	6	7	20	17.5	9.5	8.5	6	60	20	M5x16	17.75	37.84	0.38	0.27	0.27	0.38	2.21
HGH 25CA HGH 25HA	40	5.5	12.5	48	35	6.5	35	58	83	12	M6x8	8	10	13	23	22	11	9	7	60	20	M6x20	26.48	56.19	0.64	0.51	0.51	0.67	3.21
HGH 30CA HGH 30HA	45	6	16	60	40	10	40	70	97.4	12	M8x10	8.5	9.5	13.8	28	26	14	12	9	80	20	M8x25	38.74	83.06	1.06	0.85	0.85	1.14	4.47
HGH 35CA HGH 35HA	55	7.5	18	70	50	10	50	80	112.4	12	M8x12	10.2	16	19.6	34	29	14	12	9	80	20	M8x25	49.52	102.87	1.73	1.20	1.20	1.88	6.3
HGH 45CA HGH 45HA	70	9.5	20.5	86	60	13	60	97	138	12.9	M10x17	16	18.5	30.5	45	38	20	17	14	105	22.5	M12x35	77.57	155.93	3.01	2.35	2.35	3.54	10.41
HGH 55CA HGH 55HA	80	13	23.5	100	75	12.5	75	117.7	165.7	12.9	M12x18	17.5	22	29	53	44	23	20	16	120	30	M14x45	114.44	227.81	5.66	4.06	4.06	5.38	15.08
HGH 65CA HGH 65HA	90	15	31.5	126	76	25	70	142.6	196.6	12.9	M16x20	25	15	15	63	53	26	22	18	150	35	M16x50	162.36	319.71	9.91	6.44	6.44	6.93	21.18
							120	203.6	257.6																				

Note : 1 kgf = 9.81 N