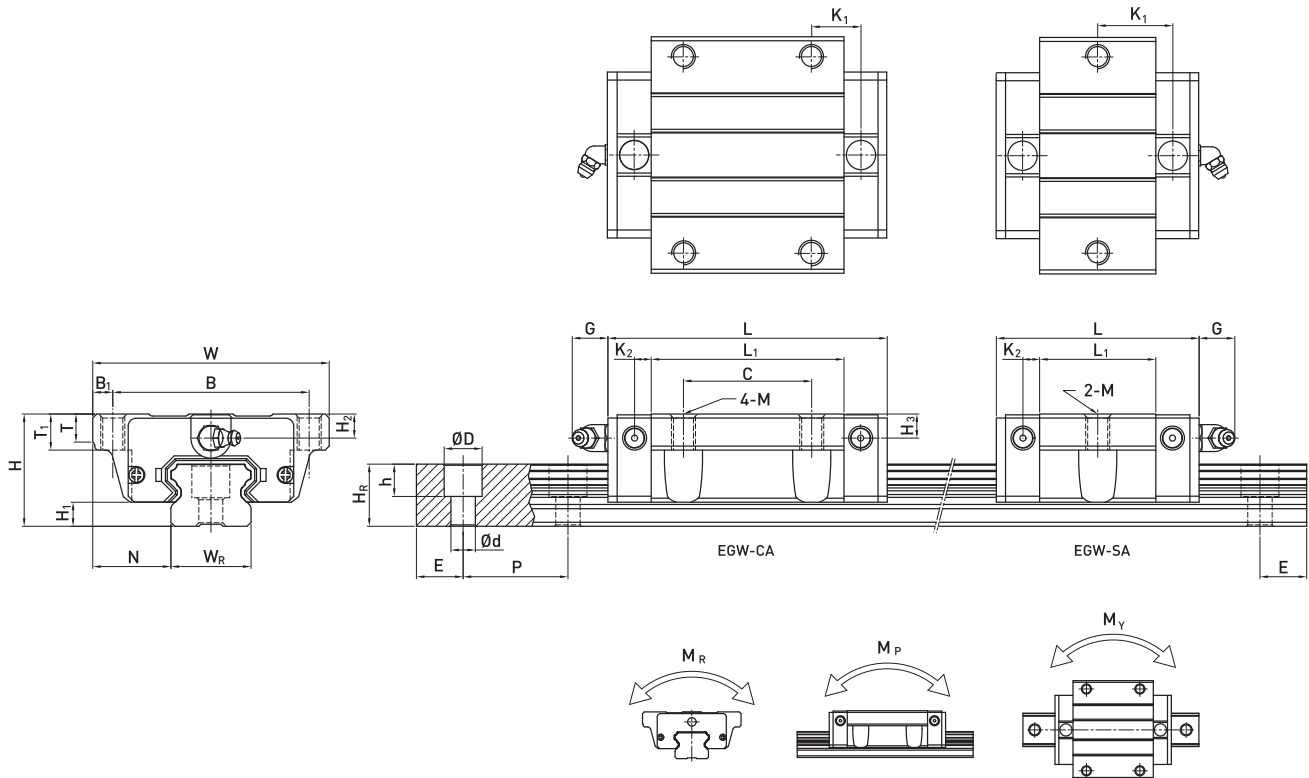


Linear Guideways

EG Series

(2) EGW-SA / EGW-CA



Model No.	Dimensions of Assembly (mm)							Dimensions of Block (mm)										Mounting Bolt for Rail (mm)	Basic Dynamic Load Rating C (kN)	Basic Static Load Rating C ₀ (kN)	Static Rated Moment			Weight											
	H	H ₁	N	W	B	B ₁	C	L ₁	L	K ₁	K ₂	G	M	T	T ₁	H ₂	H ₃				W _R	H _R	D	h	d	P	E	M _R	M _P	M _Y	Block kg	Rail kg/m			
																					kN-m			kg											
EGW 15SA	24	4.5	18.5	52	41	5.5	-	23.1	40.1	14.8																									
EGW 15CA							26	39.8	56.8	10.15	3.5	5.7	M5	5	7	5.5	6	15	12.5	6	4.5	3.5	60	20	M3x16	5.35	9.40	0.08	0.04	0.04	0.12		1.25		
EGW 20SA							-	29	50	18.75																									
EGW 20CA	28	6	19.5	59	49	5	32	48.1	69.1	12.3	4.15	12	M6	7	9	6	6	20	15.5	9.5	8.5	6	60	20	M5x16	7.23	12.74	0.13	0.06	0.06	0.19		2.08		
EGW 25SA							-	35.5	59.1	21.9																									
EGW 25CA	33	7	25	73	60	6.5	35	59	82.6	16.15	4.55	12	M8	7.5	10	8	8	23	18	11	9	7	60	20	M6x20	11.40	19.50	0.23	0.12	0.12	0.35		2.67		
EGW 30SA							-	41.5	69.5	26.75																									
EGW 30CA	42	10	31	90	72	9	40	70.1	98.1	21.05	6	12	M10	7	10	8	9	28	23	11	9	7	80	20	M6x25	16.42	28.10	0.40	0.21	0.21	0.62		4.35		
EGW35SA							-	45	75	28.5																									
EGW35CA	48	11	33	100	82	9	50	78	108	20	7	12	M10	10	13	8.5	8.5	34	27.5	14	12	9	80	20	M8x25	22.66	37.38	0.56	0.31	0.31	0.84		6.14		

Note : 1 kgf = 9.81 N