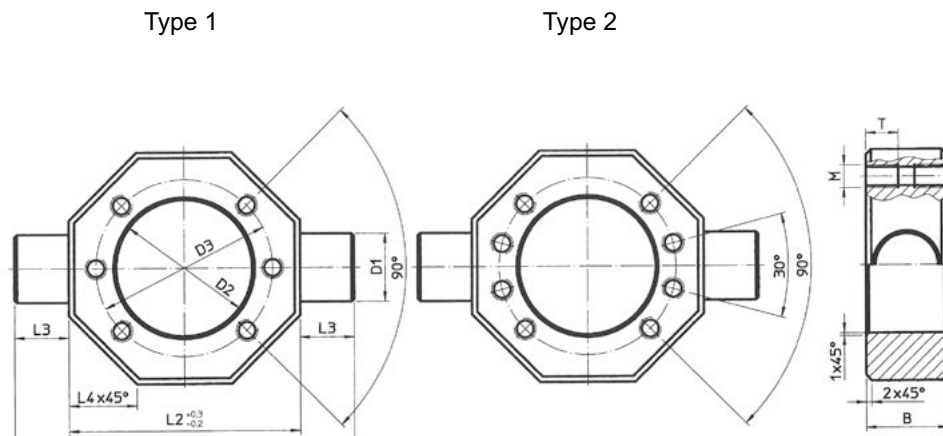


Ballscrew Accesories

Cardanic Nut Housing



Cardanic Housing for flanged ballscrew nut DIN69051.

| Screw diameter | Code | L1 | L2 | L3 | L4 | B | D1 f8 | D2 H7 | D3 | Type | M | T | Weight (kg) |
|----------------|--------|-----|-----|------|----|----|-------|-------|----|------|-----|----|-------------|
| 16 | GKD-16 | 70 | 50 | 10 | 15 | 20 | 12 | 28 | 38 | 1 | M5 | 10 | 0,2 |
| 20 | GKD-20 | 85 | 58 | 13,5 | 17 | 25 | 16 | 36 | 47 | 1 | M6 | 12 | 0,3 |
| 25 | GKD-25 | 95 | 65 | 15 | 19 | 25 | 18 | 40 | 51 | 1 | M6 | 12 | 0,4 |
| 32 | GKD-32 | 125 | 85 | 20 | 25 | 30 | 25 | 50 | 65 | 1 | M8 | 12 | 0,9 |
| 40 | GKD-40 | 140 | 100 | 20 | 29 | 40 | 30 | 63 | 78 | 2 | M8 | 14 | 1,7 |
| 50 | GKD-50 | 165 | 115 | 25 | 34 | 50 | 40 | 75 | 93 | 2 | M10 | 16 | 2,6 |