

Linear Guideways

SE Type

2-13 SE Type - Metallic End Cap Linear Guideway

2-13-1 General Information

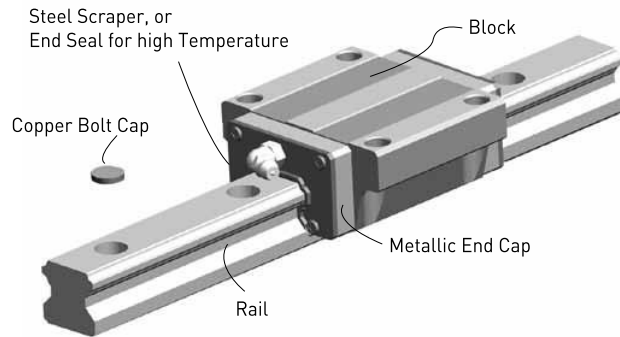
(1) Features

- Use of Metallic parts; (if end seal is needed, the high-temperature rubber in end seal is available).
- Excellent temperature resistance; service temperature under 150 °C.

(2) Applications

- Heat treatment equipment,
- Applications using vacuums (no vapor dispersion from plastic or rubber)
- Welding equipment.

2-13-2 Structure



2-13-3 Specification

(1) Add "/SE" after the specification of linear guideway

Ex. HGW25CA2R1000Z0PII + ZZ / SE

2-13-4 Dimensions of Copper Bolt Cap

Table 2-13-1

| Item | Bolt Size | Cap Diameter (mm) | Cap Thickness (mm) |
|------|-----------|-------------------|--------------------|
| C3 | M3 | 6.15 | 1.2 |
| C4 | M4 | 7.65 | 1.2 |
| C5 | M5 | 9.65 | 2.5 |
| C6 | M6 | 11.15 | 2.8 |
| C8 | M8 | 14.15 | 3.5 |
| C12 | M12 | 20.15 | 4 |
| C14 | M14 | 23.15 | 4 |
| C16 | M16 | 26.15 | 4 |